

PT Series Pressure Gauge

THIS DRAWING AND SPECIFICATIONS ARE THE PROPERTY OF REOTEMP INSTRUMENT CORP., AND ARE ISSUED IN STRICT CONFIDENCE AND SHALL NOT BE REPRODUCED, COPIED OR USED AS THE BASIS FOR MANUFACTURE OR SALE OF ITEMS DEPICTED HEREIN WITHOUT WRITTEN PERMISSION FROM REOTEMP INSTRUMENT CORP.

NOTES (UNLESS OTHERWISE SPECIFIED):

1. DIMENSIONS ARE IN INCHES [mm] (1 INCH = 25.4 mm).

2. SPECIFICATIONS

CASE: PHENOLIC; SOLID FRONT, BLOWOUT BACK

RING: FIBERGLASS REINFORCED THERMOPLASTIC

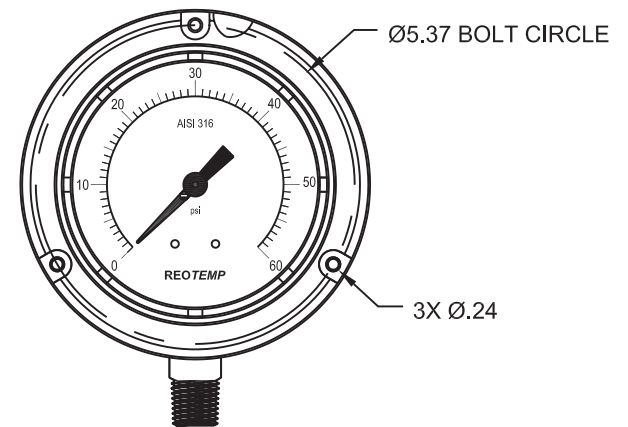
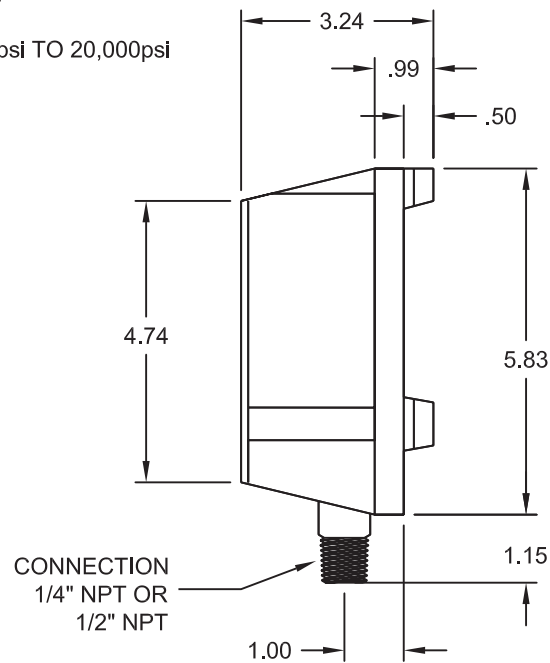
LENS: TEMPERED GLASS

WETTED PARTS: 316 STAINLESS STEEL

ACCURACY: 0.5% FULL SCALE

RANGE: VACUUM, COMPOUND, AND 15psi TO 20,000psi

REVISIONS			
REV	DESCRIPTION	DATE	APPROVED
A	RELEASE	2/28/06	CFM



PART NAME CUSTOMER DRAWING - PT45		REOTEMP Instrument Corporation		DATE 2/27/06
UNLESS OTHERWISE SPECIFIED DIMENSIONS ARE IN INCHES		10656 Roselle Street		DRAWN BY
TOLERANCES ARE:		San Diego, CA 92121 USA		CFM
FRACTIONS	DECIMALS	ANGLES	Phone: (858) 784-0710	APPROVED
± 1/32	.XX ± .03	± 5°	Fax: (858) 784-0720	
	.XX ± .01			
	.XXX ± .005			
PART NO PT45	SIZE B	CAGE CODE: 24793	DWG NO. C6302	REV A
FIRST USED ON NA	SCALE: NA	FILE NAME: C6302-PT45	SHEET 1 OF 1	