

MINI SEALS

MINI-SEALS are all-welded, gasketless, threaded off-line seals. The mini-seal is an economical choice for isolation of smaller gauges, or where high sensitivity is not required.

HOW TO ORDER:

MINI SEAL

	A	B	C	Min. Range
4G	1.73"	1.5"	1.5"	0-100 psi
6G	2.25"	1.95"	1.6"	0-15 psi
4H	2.0"	1.75"	1.6"	0-100 psi

Size:

- 4G** - Low volume, for up to 3 1/2" gauge. Max 2000 psi @ 100° F
- 6G** - Std. volume with larger diaphragm, for up to 4 1/2" gauge. Max 1,000 psi
- 4H** - High Pressure, for up to 3 1/2" gauge. Max 5,000 psi @ 100° F

Instrument Connection (Female NPT):

- 4** = 1/4" NPT
- 2** = 1/2" NPT

Process Connection (Female NPT):

- 4** - 1/4" NPT **4M** = 1/4" NPT Male
- 2** - 1/2" NPT **2M** = 1/2" NPT Male

Material:

- S** = 316 Stainless (Standard)
- H** = Hastelloy C
- F** = 304 Stainless

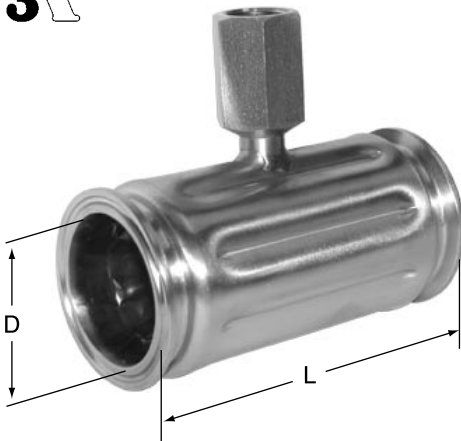
Options:

- F** = Flushing Connection

MS - 4 G - 4 4 S



SANITARY IN-LINE PRESSURE SEALS



TO ORDER: Tri-Clamp type, 1/4" NPT conn., 316SS

Pipe Size (D)	Tri-Clamp Conn.	Part Number	L (length)
1/2"	1/2"	ILS-TC05	7.87"
3/4"	3/4"	ILS-TC75	4.33"
1"	1"	ILS-TC10	4.33"
1 1/2"	1.5"	ILS-TC15	4.33"
2"	2"	ILS-TC20	4.33"
3"	3"	ILS-TC25	2.36"

REOTEMP IN-LINE SEALS are the solution to many difficult pressure measurement applications. These seals are designed to 3-A standards, and allow unobstructed flow-through of process media.

Specifications:

Pipe material:	316LSS
Diaphragm Material:	316LSS standard (other material available on request)
Instrument Connections:	1/4" NPT std., (1/2" NPT, BSP threads cooling element or capillary line available)
Pipe connections:	Tri-clamp, (ANSI Flange (or metric connection types avail. - consult factory)
Pressure Limits:	600 psi (other styles to 6,000 psi)
Pipe sizes:	1/2" to 4"
Filling Fluids:	Glycerin, vegetable oil or any food - compatible fluid
Leak checking:	All seals are helium leak tested