

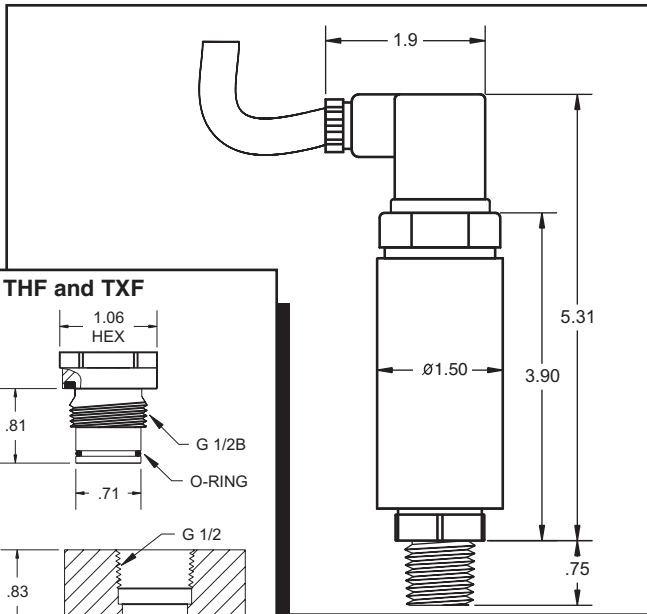
INTRINSICALLY SAFE TRANSMITTERS

SERIES TX

- Intrinsically safe for Hazardous Environments
- Heavy-duty, 0.25% or 0.1% accuracy
- Standard Internal or Flush diaphragm
- Very low to very high Pressure Ranges
- Internal zero & span adjustments
- All-stainless welded Body and Wetted Parts
- Shock-proof - internals potted in epoxy

Applications:

Petrochemicals, chemicals, and other hazardous applications requiring Class I, Division I protection.



Note: dimensions are nominal and may vary. Check with Reotemp sales if dimensions are critical.

TX series transmitters are compatible with Reotemp DM series digital indicators (p.33). Each Reotemp transmitter is inspected and calibrated prior to shipment, to ensure it is 100% "Ready-to-Go" right out of the box!

Specifications: (Also see General specs, page 25)

Approvals: FM, CSA, CENELEC, BASEEFA, and PTB approved for Class I, II, III; Division 1, groups A, B, C, D, E, F, G. Nonincendive for Class I, Div 2, Groups A, B, C, D.

Output Signal: 4-20 mA, 2 wire

Pressure Ranges: Vacuum, compound, pressure to 15000PSI; gauge and absolute

Proof & Burst Pressures	Proof pressure	Burst pressure
0/5 thru 0/200psi	3.5 x range	3.8 x range
0/300 thru 0/10,000 psi	2 x range	2 x range
0/15,000 psi	1.5 x range	2 x range
0/25,000 and 0/60,000 psi	1.2 x range	2 x range

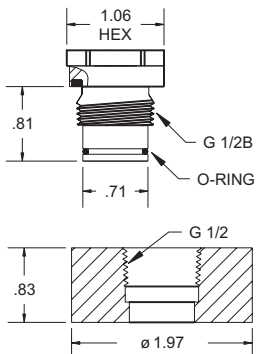
Accuracy (BFSL): +/- 0.25% of span (standard) (incl. repeatability, +/- 0.1% of span (optional) hysteresis, and linearity):

Adjustment: +/- 5% full scale, zero & span

Input: 11-28 VDC

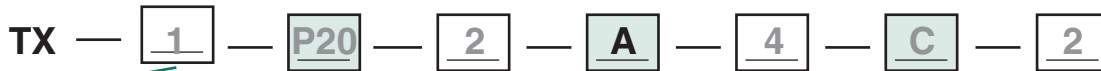
Temperature: Compensated: +32 to 175°F (0/80C)
Effect: +/- 0.01% of span / deg F (on zero and span)
Media: -5 to 120°F (-20/50°C)
Ambient: -5 to 120°F (-20/50°C)

for THF and TXF



Weld-in Adapter XTWA-F

HOW TO ORDER



<p>TX1 = Intrinsically Safe transmitter-(std internal diaphragm)</p> <p>TXF = Intrinsically Safe-(special front flush diaphragm)</p>	<p>Range: SEE PAGE 35 FOR RANGE CODES</p> <p>Vacuum, Compound, Pressure 0/55INWC...to 30,000psi (TX1) 0/55INWC...to 7,500psi (TXF)</p>	<p>Accuracy: 2 = +/-0.25% Full Scale (std) 3 = +/-0.12% Full Scale</p>	<p>Output Signal: A = 4-20mA, 2 wire</p>	<p>Process Connection TX1: 4 = 1/4" NPT 2 = 1/2" NPT(std)</p> <p>TXF: E = G1/2B w/flush(>=50psi) F = G1B w/flush(<50psi)</p>	<p>Electrical Connection: C = Hirschmann (w/36" cable) D = Hirschmann (DIN 43650) N = 1/2" NPTF ISO 4400 flex conduit conn.</p>	<p>Options: 1 = Threaded Orifice (SS, M3.5) 2 = Restrictor Screw Weld-in adapters for G1, G1/2 Diaphragm Seals, Snubbers</p>
----------------------------------------------------------------------------------------------------------------------------------------------------	-----------------------------------------------------------------------------------------------------------------------------------------------	-------------------------------------------------------------------------------	-------------------------------------------------	--------------------------------------------------------------------------------------------------------------------------------------------------	----------------------------------------------------------------------------------------------------------------------------------------	-------------------------------------------------------------------------------------------------------------------------------------