

Digital Thermometer Solar Digital Thermometer



- | Powered by ambient light, down to 30LUX (45 LUX for temperatures above 212 °F)
- | Bright 3 digit LCD display
- | Switchable from °F (-58 to 300°F) to °C (-50 to 150 °C)
- | All Stainless Steel NEMA 4X case
- | 1/4" stem available in several standard lengths, or optional to 60"

Reotemp's Solar Digital Thermometers are powered by solar cells for viewing in any lighted area. The large 3 1/2" digit display has a resolution of + 0.1°F or °C. All stainless steel case construction is standard in either back or adjustable angle connection.

Specifications:

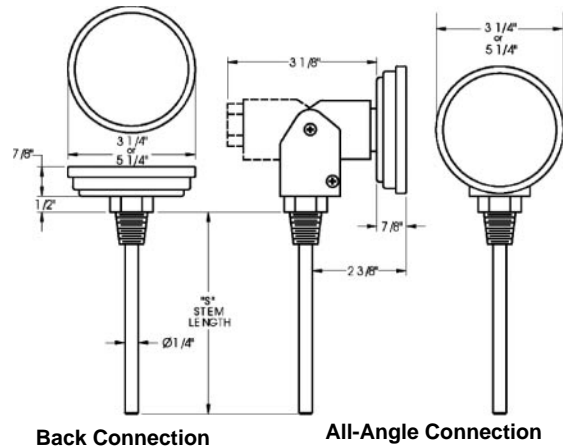
Temperature Range: -58 to 300°F or -50 to 150°C (switchable)
Case: 304 stainless steel, NEMA 4X, 3" or 5" dial
Stem: 1/4" diameter, 2 1/2" to 48" (optional: 3/8" dia. up to 72")
Lens: Glass (Plastic available)
Sensor: Thermistor, powered by 1.5 V solar cells, requiring only 30 Lux below 212°F and 45LUX above 212°F.
Update Interval: 10 sec.
Display: LCD, 0.5" height, 3 digit
Accuracy: 1% full scale up to 212°F (over 212°F: 1.5% in 45 LUX and up)
Connection: 1/2" NPT (other threads available)

How to Order

SD — **A** — **025**

Model	Configuration	Stem Length
SD	3" Dial	025 = 2.5"
	A = Back connection L = All-Angle connection	040 = 4" 060 = 6" 090 = 9" 120 = 12"
	5" Dial	
	B = Back connection J = All-Angle connection	*Specify other stem length

Options:	Options-Special Order
PS -Pointed Stem	S3 -3/8" Stem
PC -Plastic Crystal	SS -316SS



REOTEMP INSTRUMENT CORPORATION