

Specifications – Bimetal Dial Thermometers

Dial Sizes: 1 1/8", 1 3/4", 2 3/8", 3", 4", 5"

Stem Length: Between 2" and 80"

Stem Diameters: 1/4" (standard), also available 5/16", 3/8".

Heads, bezels, mounting bushing, stems:

All Models 300 series SS

Operating Conditions: The temperature of the head should not be allowed to exceed 200° F (150° F if silicone filled). Stems should not be exposed to continuous temperatures exceeding 50% over-range, or 800° F.

Hermetic seal: All 3", 4", and 5" models (except DM4) are hermetically sealed per ASME B40.3.

Pointed Stems: Optional on all models. Excellent for probing asphalt, compost, soil, frozen foods or other semi-solid materials.

Dials: Anodized aluminum. Black marks and numbers with satin matte finish background.

Crystals: Optically clear strong glass.

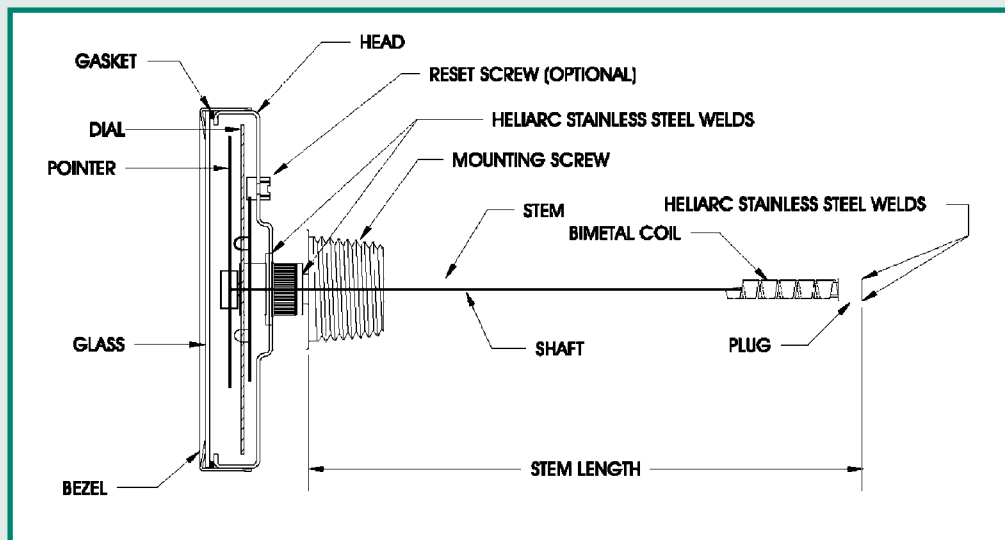
Optional: Unbreakable clear plastic: all models (Not recommended for ranges over 500° F).

Optional: "Shatterproof" tempered glass (3", 4", and 5" models).

Accuracy: All Models are guaranteed accurate to within plus or minus 1% of the full scale (Grade A per ASME B40.3). Temperature readings are stabilized within 40 seconds.

Immersion: For correct temperature measurement, the stem of all Models in all ranges must be immersed 2 inches in liquid, and 4 inches in gas except for 0 to 100° F, 25 to 125° F, and 0 to 50° C which require 3 1/2 inches in liquid and 5 inches in gas.

Mounting Connections: 1/2" NPT (std. on 3", 4", 5" models), 1/8" NPT, 1/4" NPT, 3/8" NPT, 3/4" NPT, 3/8"-24" NF, Plain or Reset Bushing, 1/2" NPT Union, 1/2" BSPT, BSPP Adapters.



Thermowells

Thermowells should be used whenever the stem or bulb would be exposed to pressure, corrosion, or shear forces. Thermowells also make it possible to remove the thermometer without losing pressure or contents. (See pages 14-15 for more details)

O.E.M. Applications

If you are an Original Equipment Manufacturer and plan to incorporate the REOTEMP Thermometer in your finished product for resale, special ranges or special dials can be made to suit your particular requirements. Such specials can bear your own company name and/or trademark on the dial. The quality, appearance, and performance of a REOTEMP Thermometer will complement and enhance your equipment.