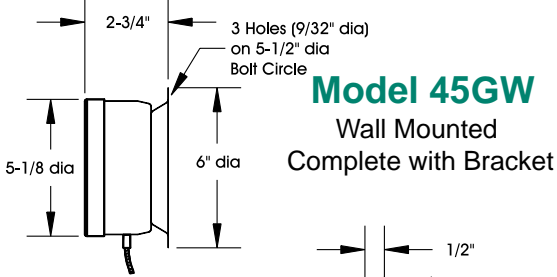


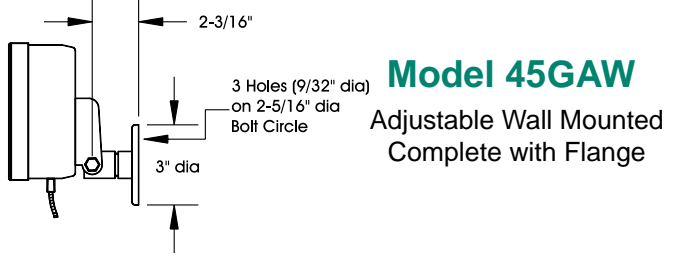
Filled Systems Thermometers

Direct Drive Gas Filled Remote

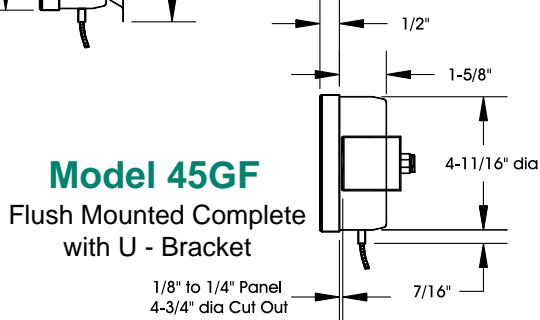
Case Specifications



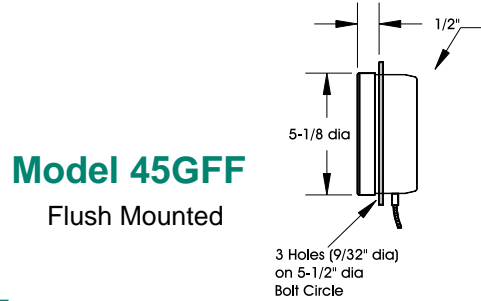
Model 45GW
Wall Mounted
Complete with Bracket



Model 45GAW
Adjustable Wall Mounted
Complete with Flange

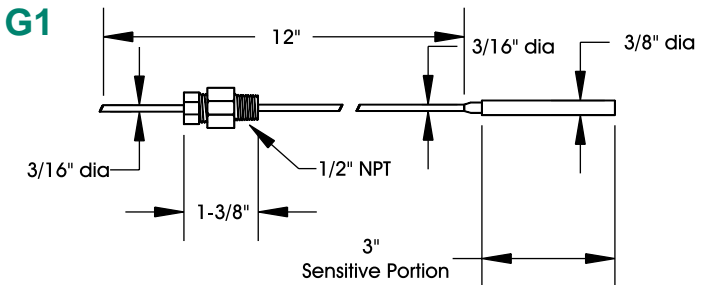


Model 45GF
Flush Mounted Complete
with U - Bracket

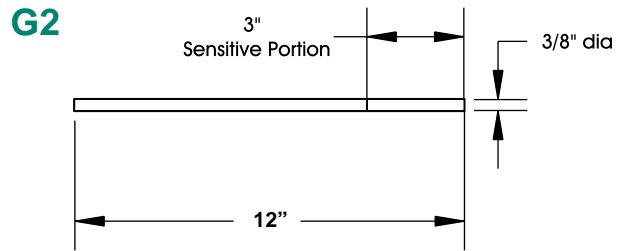


Model 45GFF
Flush Mounted

Bulbs



G1
3/8" dia. bulb with 3/16" bendable complete with 1/2" NPT compression fitting; All SS



G2
3/8" dia. bulb with 3/8" extension up to 48" with optional 1/2" NPT compression fitting; All SS

How to Order

45GW

06

08

G118

SG

Model	Armored Capillary Length	Temperature Range	Bulb Type	Accessories for Thermowells see pg. 24
45GW = Wall Mount	05 = 5 Feet	See chart on Page 25.	G112 = 12" Bendable Extension with 1/2" NPT Union	EC = Electrical Contacts
45GF = Flush Mount	06 = 6 Feet		G118 = 18" Bendable Extension with 1/2" NPT Union	MP = Max Hand Pointer
45GFF = Front Flange	10 = 10 Feet		G212 = 12" Plain Bulb with Rigid Extension	SG = Tempered Glass
45GAW = Adjustable Wall Mount	Other = Specify Length in Feet		G224 = 24" Plain Bulb with 1/2" NPT Union	PY = Polycarbonate Crystal