

# TRI-MODE PRESSURE SENSOR



Model **SGT**<sup>®</sup>

## Switch

- Two SPST Switches
- Switches are Independent, Programmable (to SPDT, DPST, HH, LL, HL)
- Adjustable Setpoints, dead bands
- Display shows switch status
- Open or closed failsafe

## Gauge

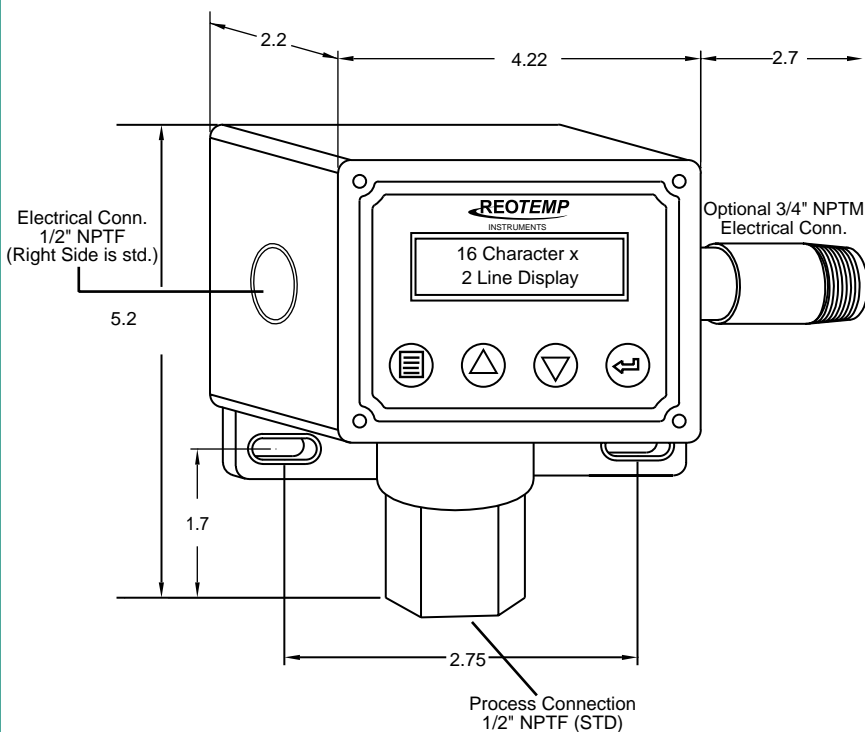
- Local Indicator
- Ranges VAC., 10psi to 2,000psi
- 13 selectable engineering units
- 0.5% Accuracy
- Bench recalibrator

## Transmitter

- 4-20 mA Output
- Easy to Program
- Zero & span adjustable
- Up to 5:1 turndown
- + 10% zero offset
- High or low failsafe

**All in One  
Easy-to-use  
Device**

- Loop Powered (14-30VDC)
- NEMA 4, 4X, IP65
- Easy, Intuitive programming
- 2 - Line x 16 character display
- 316SS, Hast. C-276, or Monel pressure port



The **REOTEMP SGT** Pressure Switch is a convenient, multi-purpose indicator for local and remote pressure sensing. The SGT<sup>®</sup> combines three pressure instruments in one easy to use, self-diagnostic configuration:

**Switch:** Two independent, programmable SPST Solid State Relays

**Gauge:** Local digital pressure indicator.

**Transmitter:** Independent 4-20mA Output for remote display.

Operating the SGT is made simple with a descriptive menu structure with a helpful escape function. The SGT is ideal for applications requiring multiple pressure sensors in a confined area, or consolidating space in a process line.