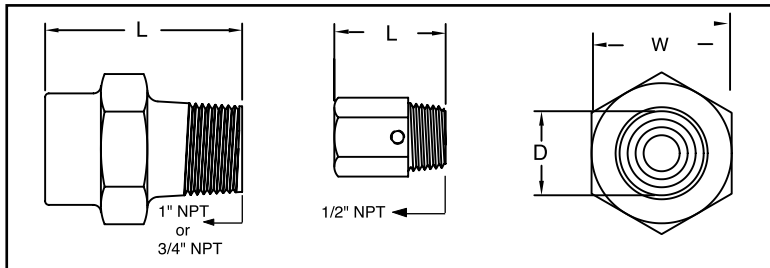


THREADED FLUSH FACE SEALS

Dimensional Drawing



REOTEMP's Flush-Face diaphragm seals are useful in applications where a continuous flow of process across the diaphragm is required to prevent solids buildup.

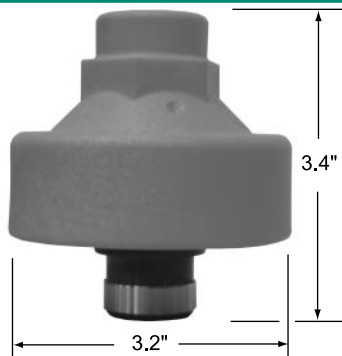


How To ORDER

Model	Instrument Conn.	Process Conn.	Max working Pressure (@100F)	Minimum Recommended Pressure Range		
				Gauges (psi)		Transducers
				2 1/2"	4"	
DSFF21S DSFF41S	1/2" NPT 1/4" NPT	1" NPT	1500 psi	0-15	0-60	30 psi
DSFF23S DSFF43S	1/2" NPT 1/4" NPT	3/4" NPT	2500 psi	0-60	N/A	15 psi
DSFF42S	1/4" NPT	1/2" NPT	5000 psi	0-100	N/A	100 psi
DSF4G1S	1/4" NPT	1" BSPP	8000 psi	0-30	0-60	30 psi

Dimensions (inches)			
Process Conn. NPT	Diaphragm Diameter "D"	Overall Length "L"	Width "W"
1"	1.125"	2.65"	1.75"
3/4"	.875"	2.47"	1.75"
1/2"	.675"	1.43"	.875"
1" BSPP	.980"	----	1.62"

*Note: Use largest diaphragm possible, for smallest temperature effect.



- Teflon Diaphragm
- Isolate Pressure Instruments from Corrosive Media
- High Chemical Resistance
- Upper housing is glass filled polypropylene
- Heavy Duty Design for Safety
- Ideal for waste water treatment

SERIES PLS - PLASTIC SEALS

REOTEMP's Series PLS Plastic Seals allow pressure gauges, switches, or transmitters to be used in corrosive applications compatible with wetted materials.

How To ORDER

PLS1 — 4 — 4 — T — P



Instrument Connection:	Process Connection:	Diaphragm Material:	Lower Housing:				Options:
			Code	*MWP at 68° F	*MWP at 140° F	*MWP at 170° F	
4 =1/4 NPT 2 =1/2 NPT	4 =1/4 NPT 2 =1/2NPT	T = Teflon (PTFE) Bonded Hypalon	Z =PVC P =Polypropylene K =Kynar (PVDF)				-Pressure Gauge -Gauge mount & fill (glycerin or silicone)
Z =	150 psi	15 psi	-----	14/140° F			
P =	150 psi	65 psi	15 psi	46/176° F			
K =	150 psi	105 psi	75 psi	22/248° F			

*MWP = Max Working Pressure