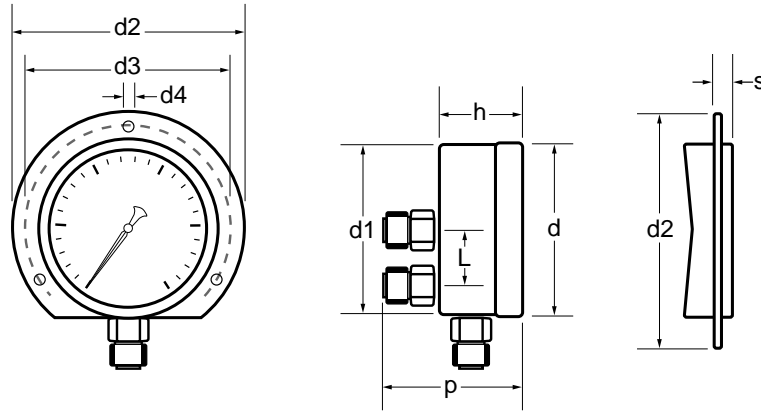


PRESSURE GAUGE TECHNICAL REFERENCE

REOTEMP PRESSURE PRODUCTS



Pressure Gauge Dimensions

		D	D1	D2	D3	D4	H	L	S	P	P dim based on
PD15N,X	mm	44	40	-	-	-	24	-	-	44	1/8"NPT
	in.	1.73	1.57				0.94			1.73	
PD20N,X	mm	55	50.8	71	60	3.6	28	-	-	50	1/8"NPT
	in.	2.17	2.00	2.80	2.36	0.14	1.10			1.97	
PD25N,X	mm	68	62.5	85	75	3.6	29	-	4	50	1/4"NPT
	in.	2.68	2.46	3.35	2.95	0.14	1.14		0.16	1.97	
PD40Y,S	mm	101.5	98	130	118	6	42	29.5	5.5	80	1/2"NPT
	in.	4.00	3.86	5.12	4.65	0.24	1.65	1.16	0.22	3.15	
PD60Y,S	mm	160	158	190	178	6	9	29.5	5.5	80	1/2"NPT
	in.	6.30	6.22	7.48	7.01	0.24	1.93	1.16	0.22	3.15	
PD40B	mm	101.5	98	130	118	6	32	-	-	-	-
	in.	4.00	3.86	5.12	4.65	0.24	1.26				
PC25N	mm	62.5	62.5	85	75	3.6	34	-	4	50	1/4"NPT
	in.	2.46	2.46	3.35	2.95	0.14	1.34		0.16	1.97	
PC40S	mm	101	98.5	130	116	6	49	-	5.5	80	1/4"NPT
	in.	3.98	3.88	5.12	4.57	0.24	1.93		0.22	3.15	
PC60S	mm	160	153	190	178	6	49	-	5.5	80	1/4"NPT
	in.	6.30	6.02	7.48	7.01	0.24	1.93		0.22	3.15	
PM25C	mm	68	63	85	75	3.6	30	135	7	54	1/4"NPT
	in.	2.68	2.48	3.35	2.95	0.14	1.18	5.3	0.28	2.13	
PM40C	mm	110	101	130	118	6	47	-	-	-	-
	in.	4.33	3.98	5.12	4.65	0.24	1.85				
PG25C	mm	68	63	85	75	3.6	30	-	7	54	1/4"NPT
	in.	2.68	2.48	3.35	2.95	0.14	1.18		0.28	2.13	
PG35S	mm	89	80	110	95	5	31	19	15	60	1/4"NPT
	in.	3.5	3.15	4.32	3.75	0.2	1.23	0.73	0.6	2.36	
PG40C	mm	110	101	130	118	6	47	34.5	12.5	65	1/2"NPT
	in.	4.33	3.98	5.12	4.65	0.24	1.85	1.36	0.49		
PR40S	mm	111	101	130	118	6	48	34.5	19	80	1/2"NPT
	in.	4.37	3.98	5.12	4.65	0.24	1.89	1.36	0.75	3.15	
PR60S	mm	161	150	190	175	6	50	53	25	80	1/2"NPT
	in.	6.34	5.91	7.48	6.89	0.24	1.97	2.09	0.98	3.15	
PA40A	mm	114	100	130	118	6	48	-	-	-	-
	in.	4.49	3.94	5.12	4.65	0.24	1.89				
PS40S	mm	111	100	130	116	6	61	-	-	-	-
	in.	4.37	3.94	5.12	4.57	0.24	2.40				
PS60S	mm	162	150	190	175	6	64	-	-	-	1/2"NPT
	in.	6.38	5.91	7.48	6.89	0.24	2.52				
PL60	mm	161	150	190	175	6	50	53	25	88	1/2"NPT
	in.	6.34	5.91	7.48	6.89	0.24	1.97	2.09	0.98	3.46	
PT45P	mm	129	148	148	137	6	87	-	-	-	-
	in.	5.08	5.83	5.83	5.39	0.24	3.43				

Note: diagrams not to scale.

TRADEMARKS: FLOUROLUBE - TM Occidental Petroleum Corp. MONEL - TM Huntington Alloys, Inc. HALOCARBON - TM Halocarbon Corp. Note: All specifications in this catalog are subject to change.