



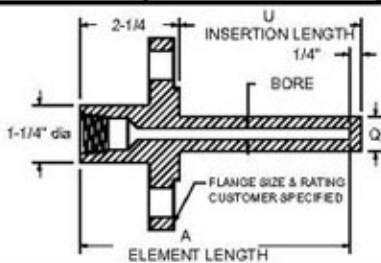
Thermowells Flanged Types



How To Order

05 — 1 — R — 2 — S — T — U020 — L042

Flange Size	Flange Rating	Sealing Face	Bore Diameter	Material	Shank Style	"U" Dimensions	Overall Length
05 = 1/2"	1 = 150#	R = Raised Face	2 = .260" (for 1/4" stem)	S = 316SS	T = Tapered	U020 = 2"	L042 = 4.25"
10 = 1"	3 = 300#	F = Flat Face	3 = .385" (for 3/8" stem)	F = 304SS	S = Straight	U040 = 4"	L062 = 6.25"
15 = 1.5"	6 = 600#	J = RTJ (Ring type joint)	Q = Other (Specify)	C = Carbon Stil.	P = Stepped	U070 = 7"	L092 = 9.25"
20 = 2"	9 = 900 - 1500#			D = Carp. 20	R = Tapered w/ support ring	U100 = 10"	L122 = 12.25"
25 = 2.5"	5 = 2500#			G = Hast B	Q = Other	U130 = 13"	L152 = 15.25"
30 = 3"	V = VanStone			H = Hast C (276)		U160 = 16"	L182 = 18.25"
07 = 3/4"				L = F 11 Alloy		U220 = 22"	L242 = 24.25"
				M = Monel		U225 = 22.5"	L247 = 24.75"
				Y = Inconel (600)		M250 = 250mm	M307 = 307mm
				U = Tantalum Lined			
				Z = Zirconium (316 flg)			
				V = 317SS			
				T = Titanium			
				K = 316/ Stellite coating			
				2 = Alloy 20			
				5 = F5 Alloy			
				N = F22 Alloy			
				P = PTFE coated 316SS			



Note: std. overall length for a given "U" is on same line.

Thermowells Sanitary Thermowells

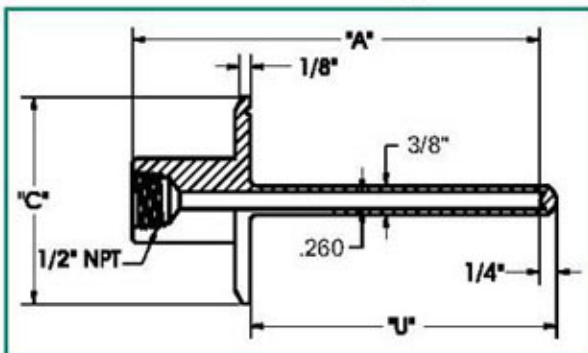


Features

- Provides Sanitary Protection for Temperature Probes
- All 316L Stainless Steel Construction
- Fast Installation & Removal
- Ideal for Food, Beverage, Biotech & Pharmaceutical Applications
- Finish Exceeds Ra 32 max. (finer finishes available)
- Exceeds 3A #4 Finish



How To Order



Tri-Clamp Size	"A" Stem Lengths	Part No.	"U" Dim	"C" Dim (Flange Dia.)
1 1/2"	2 1/2"	STF1.5-2.5	1 5/8"	2.0" (51mm)
	4"	STF1.5-4	2 1/2"	
	6"	STF1.5-6	4 1/2"	
	9"	STF1.5-9	7 1/2"	
2"	2 1/2"	STF2-2.5	1 5/8"	2.5" (63mm)
	4"	STF2-4	2 1/2"	
	6"	STF2-6	4 1/2"	
	9"	STF2-9	7 1/2"	
2 1/2"	2 1/2"	STF2.5-2.5	1 5/8"	3.0" (76mm)
	4"	STF2.5-4	2 1/2"	
	6"	STF2.5-6	4 1/2"	
	9"	STF2.5-9	7 1/2"	
3"	2 1/2"	STF3-2.5	1 5/8"	3.6" (91mm)
	4"	STF3-4	2 1/2"	
	6"	STF3-6	4 1/2"	
	9"	STF3-9	7 1/2"	