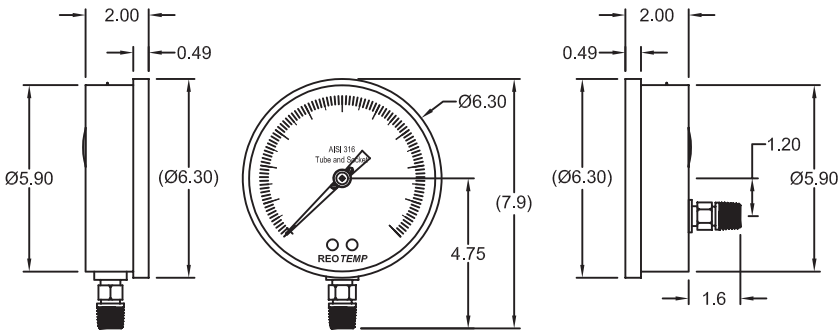
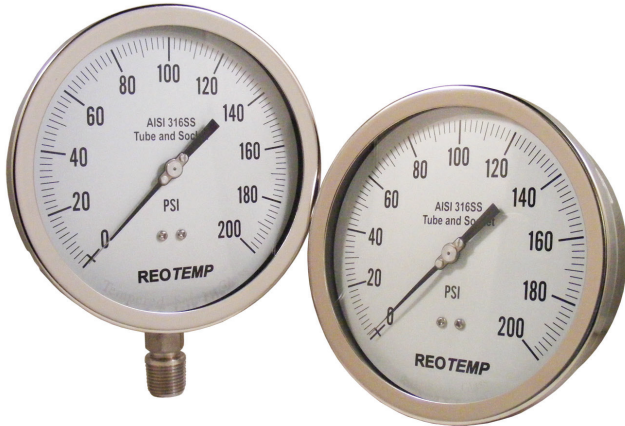


6" Heavy-Duty Repairable Stainless Gauge

REOTEMP's Series PR gauge offers rugged, all-welded stainless steel construction ideal for heavy-duty industrial applications. The stainless steel case, tube, and socket are welded together for superior case sealing and gauge integrity. The twist-off bayonet ring offers easy-access for field repair and calibration services. Liquid filling (at the factory or in the field) is recommended for applications involving vibration. For high-corrosive, high-temp, or severe service applications, a diaphragm seal is recommended.

Features/Benefits:

- All-Welded S.S. Construction
- Removable Bayonet Ring
- Liquid Fillable Case
- Rugged, Long-Lasting Design
- Safety Blow-out Relief



*dimensions in inches

Specifications:

- Case:** 304SS
- Ring:** S.S. Twist-Off Bayonet
- Wetted Material:** 316SS
- Lens:** Tempered Safety Glass (others avail.)
- Dial:** Aluminum, Black on White Background
- Pointer:** Black Aluminum, Adjustable
- Accuracy:** 1%, Grade 1A

HOW TO ORDER

PR — **60** **S** **1** **A** **4** **P18** **G**

Dial: 60 = 6"	Case: S = 304SS	Tube & Socket: 1 = 316SS 3 = Monel	Mounting: A = Bottom B = Bottom/Rear Flange C = Lower Back D = Back U-Clamp E = Back/Front Flange	Connection: 4 = 1/4" NPT 2 = 1/2" NPT	Range Code: <i>See Page 12 of Press. Product Catalog for Range Codes</i> Vac. to 20,000 PSI	Filling: -- = Dry G = Glycerine S = Silicone	Options: ■ Custom Dial ■ Max Pointer ■ Hi-Vis Dial ■ Diaph. Seal
-------------------------	---------------------------	---	--	--	--	--	---

Distributed by:

Measuring your world since 1965