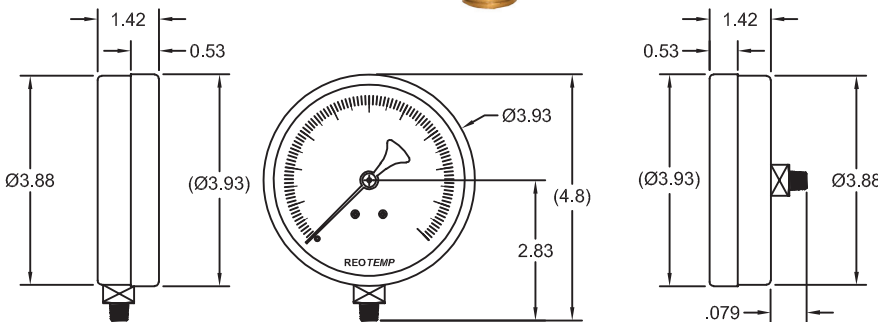


4" General Purpose Gauge (Dry)

REOTEMP's Series PD offers a wide variety of economical gauges for applications where ambient or process corrosion are not of concern. Suitable for non-vibrating applications.



Features/Benefits:





- Black Steel
- Copper Alloy Wetted Parts
- Cost Effective Design

Specifications:

- Case:** Black Painted Steel or S.S.
- Ring:** Push-On Bezel or Bayonet
- Wetted Material:** Copper Alloy
- Lens:** Snap-In Plastic or Glass
- Dial:** Aluminum, Black Figures on White
- Temperature:** -10° to 140°F
- Accuracy:** 3-2-3%

HOW TO ORDER

PD — **40** **B** **2** **A** **4** **P23**

Dial:	Case:	Tube & Socket:	Mounting:	Connection:	Range Code:	Options:
40 = 4"	B = Blk Steel Push-On Bezel w/ Glass Window * Y = Blk Steel Bayonet Removable Glass Lens *= Not Standard	2 = Copper Alloy	A =  Bottom B =  Bottom/Rear Flange C =  Center Back E =  Back/Front Flange	4 = 1/4" NPT 2 = 1/2" NPT	See Page 12 of Press. Product Catalog for Range Codes Vac. to 6,000 PSI	■ Custom/Logo Dials

Distributed by:

Measuring your world since 1965

REOTEMP Instruments
 Ph (800)648-7737
 Fx (858)784-0720

San Diego, CA U.S.A.
 sales@reotemp.com
 www.reotemp.com