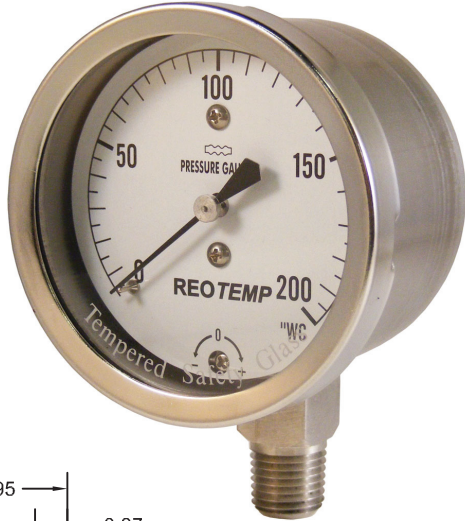
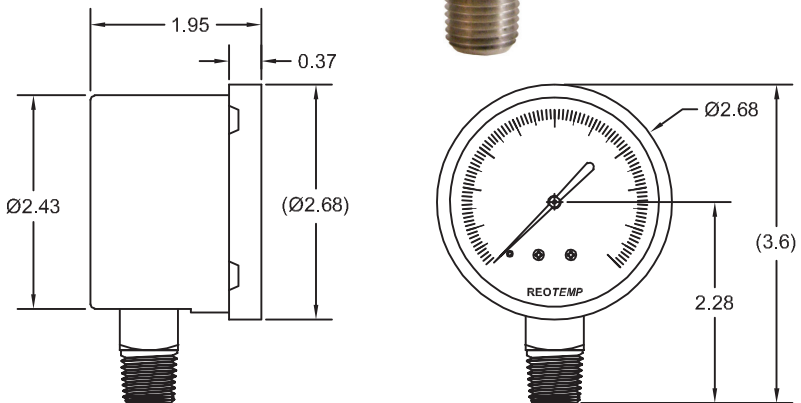


# 2.5" Stainless Low Pressure Gauge

REOTEMP's Series PC low pressure gauges offer accurate and reliable measurements of gaseous media. Offered with stainless steel internals, the Series PC25S is designed to withstand corrosive media and ensure a long-lasting instrument.



- Features/Benefits:**
- Sensitive Diaphragm/ Capsule Mechanism
  - 316 Stainless Steel or Brass
  - Zero Reset on Dial





**Specifications:**

- Case:** 304 S.S.
- Ring:** Bayonet, Twist-off Ring
- Wetted Material:** 316SS & Copper Alloy
- Lens:** Tempered Safety Glass
- Dial:** Aluminum, Black Figures on White
- Temperature:** 0° to 150°F
- Accuracy:** 1.6% Full Scale, Grade A+

## HOW TO ORDER

PC — **25** — **S** — **1** — **A** — **4** — **P52**

<b>Dial:</b> 25 = 2.5"	<b>Case:</b> S = S.S. Bayonet Removavble Zero Correction From Front	<b>Capsule &amp; Socket:</b> 1 = 316SS 2 = Copper Alloy	<b>Mounting:</b> A =  Bottom C =  Center Back	<b>Connection:</b> 4 = 1/4" NPT	<b>Range Code:</b> <i>See Page 12 of Press. Product Catalog for Range Codes</i>  Vac. to 300" Water Column	<b>Options:</b> ■ Custom/Logo Dials ■ Restrictor Screw ■ Diaphragm Seal
---------------------------	---	--	---	------------------------------------	--	---

Distributed by:

Measuring your world since 1965

REOTEMP Instruments  
Ph (800)648-7737  
Fx (858)784-0720

San Diego, CA U.S.A.  
sales@reotemp.com  
www.reotemp.com