

MECHANICAL PRESSURE SWITCHES

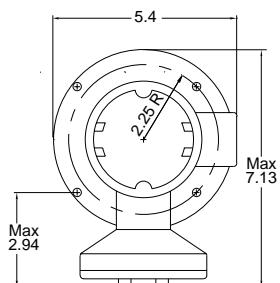
REOTEMP's Mechanical Pressure Switches are suited for a variety of process applications, where electrical devices must be turned on/off in response to changing process pressure.



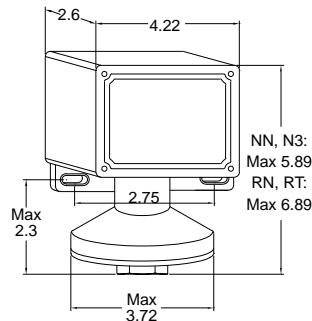
- **Reliable** Piston-Actuated, Force Balanced construction
- **Rugged**, high cycle rate tolerance
- **Precise** resolution of set points
- **Field-Adjustable** set points (No - charge factory calibration)
- **Simple Installation** - no special tools
- **Long Service Life** - no required periodic service - no spare parts required
- UL, CSA **certified** switching elements

Dimensions

Explosion Proof Case



NEMA 4 Case



Dimensions in inches

Standard Specifications

Switching Elements: SPDT, or DPDT

Current Capacity: 15A at 250VAC; 5A at 30VAC

Housing: NEMA 4, 4X, or Explosion Proof
(Class.1, Group C & D; Class.2, Group E,F,G, Division 1, 2)

Electrical Outlet: 3/4" NPTF

Adjustable Setpoints: From full vacuum to 550psi

Wetted Diaphragm: Teflon/Buna, 316 SS/Viton.

Wetted Pressure Ports: 316 SS, Aluminum, Cast Iron

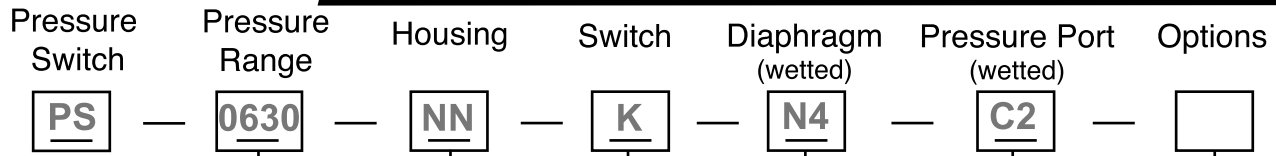
Ovrange: 200 psi to 1,500 psi

Warranty: 3 years

Note: Specifications are for standard switches shown on next page. A wide variety of alternate housings, ranges, switches, wetted parts and options are available on request.

HOW TO ORDER

MECHANICAL PRESSURE SWITCHES



Pressure Range				
Overrange	Proof	Pressure Range (Set point must be within range)	Typical Dead Band (at mid point)	
Pressure				
		Code	Range	
200 psi	400 psi	1264	2.5 - 45 INWC	0.8 INWC
		1220	.04 - 2.0 psi	0.1psi
		1250	.75 - 12 psi	0.1psi
750 psi	1000 psi	0440	2 - 25 psi	0.3psi
		0450	3 - 50 psi	0.4psi
1500 psi	2500 psi	0630	12 - 100 psi	0.9psi
		0650	20 - 180 psi	1.4psi
		0530	25 - 240 psi	2.2psi
		0545	45 - 550 psi	3.9psi
Vacuum				
750 psi	1000 psi	5418	-30" Hg	0.5" Hg
Compound				
200 psi	400 psi	5217	-40/0/40 INWC	1.1 INWC
1500 psi	2500 psi	5626	-30 Hg/0/10 psi	1" Hg/.5 psi
		5636	-30 Hg/0/80 psi	1.4" Hg/.7 psi

Housing	
Weather tight:NEMA 4, 4X, IP65:	
NN = Aluminum, One Outlet (R)	
N3 = Aluminum, two Outlets (L,R)	
RN = Aluminum, with 6-place Terminal Block One outlet (R)	
RT = 316SS, with 6-place Terminal Block One outlet (R)	
Explosion Proof (Class 1, Group C & D; Class II, Group E, F & G, Division. 1, 2)	
L = Cast Iron, One Outlet (R) (Housing is weather tight with CG option)	

Switch
K = Single (SPDT)
KK = Dual (DPDT) - (KK has 6x dead band multiplier)
Both Switches: 15 A @ 250 VAC, 5A @ 30 VDC

Options / Accessories		
MM = Vacuum protector plate (STD with vacuum + compound range)		
CG = Cemented Cover Gasket		
YY = Epoxy coating (Exterior)		
RR = Stainless Steel tag (TT = H.D. Tag)		
SP = Specify set point (set by factory, N/C) Example: SP 50A = 50psi ascending (If set point not specified, factory will set at mid point.)		
316SS Diaphragm Seals (Max working pressure = 1,500 psi)		
Process Connection	Code for 04-,05-,06-,54-,56-ranges	Code for 12-,54-,56-ranges
1/2"NPTF	W52S	W62S
1/4"NPTF	W54S	W64S
ANSI Flange (Specify Size)	W5FS	W6FS
std. fill = silicone		
Other diaphragm seals available - consult factory.		

Pressure Port (Wetted)
316SS
C1 = 1/4" NPTF
C2 = 1/2" NPTF
Sanitary Triclamp (3-A) Max. 600psi with Std. clamp
C8 = 1 1/2" Triclamp (ranges 05-,06-,56-)
C9 = 2" Triclamp (ranges 04-,05-,06-,54-,56-) Other Triclamp sizes available. std. fill = glycerin
Aluminum (Available on ranges beginning:12, 04, 52, 54)
B1 = 1/4" NPTF
B2 = 1/2" NPTF
Cast Iron (Available on ranges beginning 06, 05, 56)
F1 = 1/4" NPTF
F2 = 1/2" NPTF

Diaphragm (Wetted)
N4 = Teflon - coated Polyamide w/ Buna O - ring
M4 = 316SS w/ Viton O - ring (required with 56- ranges)

